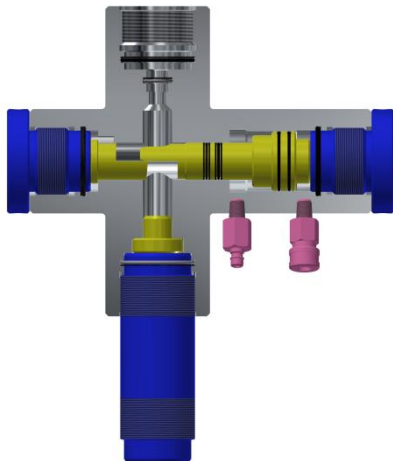


CABLE CUTTER



CABLE CUTTER – CUT SECTION

The RMZ Cable Cutter is positioned in the lubricator string above the tool catcher / ball check valve and immediately below the grease injection head.

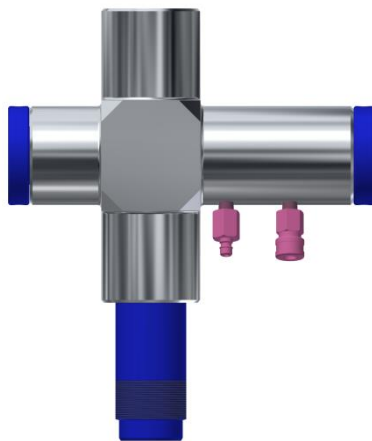
The wireline can be cleanly cut well above the wireline valve, in the event of wire becoming jammed in the grease injection flow tubes, when no wireline movement (upwards or downwards). The clean cut allows an easier recovery in stranded armour situations.

Features:

- Available in 5,000 psi, 10,000 psi & 15,000psi working Pressure.
- Available with Grease head connections or any Combination of quick Unions.
- Suitable for cutting wireline up to 9/16".
- Hydraulically operated piston for cutting.

Technical details for equipment ordering:

- Top & Bottom Connection details.
- Pressuring rating.
- Service.
- Temperature class.
- Product Specification level.

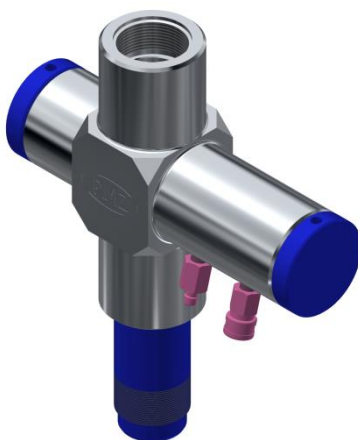


CABLE CUTTER – FULL VIEW

TECHNICAL SPECIFICATION

TOP CONN	BOTTOM CONN	SVC	PRESSURE RATING (PSI)	P/N	REMARKS
2.00"-10AC BOX	2.00"-10AC PIN	H2S	10000	990043223	W/O OPEN PORT
2.00"-10AC BOX	2.00"-10AC PIN	H2S	10000	990000843	-
2.50"-8AC BOX	2.50"-8AC PIN	H2S	15000	990044887	W/O OPEN PORT
2.50"-8AC BOX	2.50"-8AC PIN	H2S	15000	990027801	-

NOTE: All surface pressure control equipment is manufactured and certified to API6A, SI1996/913 and NACE MR-01-75 (for H2S rated equipment). This equipment comes with full certification / Documentation, Operational / maintenance Procedure, Aluminium thread protectors and is painted to client colour specification



CABLE CUTTER – ISO METRIC