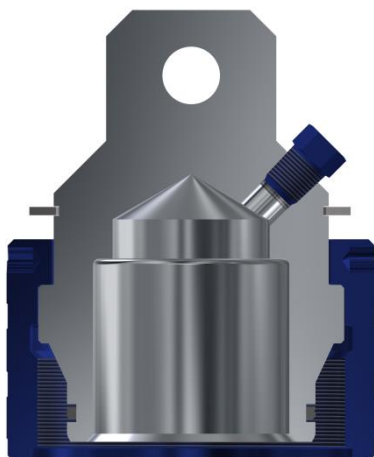


LIFTING TEST PLUG



LIFTING TEST PLUG – CUT SECTION

The RMZ Lifting Test Plug is multipurpose equipment used to pressure test and lifting component. It provides a safety mean of Capping-off a WLW remaining on a well head. Integrated eye offers a mean of connection to the lifting device.

The main body of our Lifting test plug is manufactured from one piece of steel, ensuring absolute security when making a lift.

Features & Benefits:

- Manufactured with one piece of steel to give absolute security when making the lift
- Load tested and certified by third party.
- One cap for both lifting and testing applications.
- Convenient and safe way of capping-off a WLW that is left on the wellhead.
- Available for every union.

Technical details for equipment ordering:

- Connection details.
- Pressuring rating, load rating.
- Service.
- Temperature class.
- Product Specification level.
- Lifting standard (if any)



LIFTING TEST PLUG – FULL VIEW



LIFTING TEST PLUG – ISO METRIC

NOTE:

1. All surface pressure control equipment is manufactured and certified to API6A, SI1996/913 and NACE MR-01-75 (for H2S rated equipment). This equipment comes with full certification / Documentation, Operational / maintenance Procedure, Aluminium thread protectors and is painted to client colour specification.