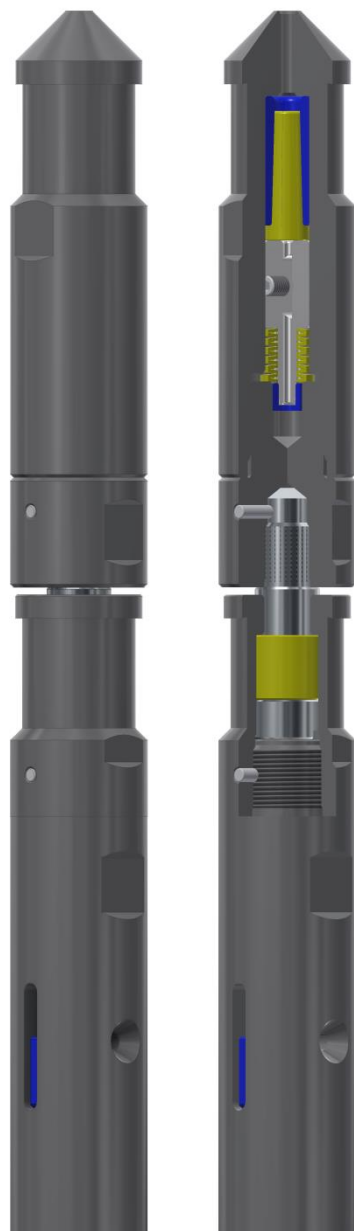


WL ROPE SOCKET – GRIP TYPE



The RMZ Wireline Grip Rope Socket is the uppermost component in a wireline toolstring and forms the essential interface between the toolstring and the wire. The specially designed Slips and Pre-loaded Initiator Clamp assembly secures the braided wireline to the Rope Socket. Belleville Springs are used to pre-load the slips, and ensure that the pre-load is maintained even if wireline tension is reduced.

Application

For use with braided line operations to provide connection of the wireline to the tool string

Features & Benefits

- One-piece slip assembly for ease of use
- Belleville Spring Stack to minimise cable slippage
- Assembly option Available without Swivel joint upon customer request.
- Swivel joint come with Dry thrust bearing & Roller thrust bearing option. Default Dry thrust bearing.
- Tools for sour service (H2S) available upon customer request.

WL ROPE SOCKET – GRIP TYPE



Technical Specifications

| OD | FISH NECK | QL | SR |
|--------|-----------|--------|---------------|
| 1.50" | 1.375" | 1.50" | 15/16"-10 UN |
| 1.875" | 1.75" | 1.875" | 1-1/16"-10 UN |
| 2.50" | 2.312" | 2.50" | 1-1/16"-10 UN |
| 2.80" | 2.312" | 2.50" | 1-9/16"-10 UN |